

ATLANTIC

WINCHES



BOAT UP TO 20FT



BOAT UP TO 22FT



BOAT UP TO 25FT



ATLANTIC ROPE
WEBBING
ROPE

Marine Boat Winch

3-speed



PRODUCT	CAPACITY	GEAR RATIO	CABLE TYPE	HOOK TYPE
MW207R	1135kg (2500lb)	10:1/5:1/1:1	7.5m x 6mm rope	Snap Hook
MW208W	1135kg (2500lb)	10:1/5:1/1:1	7.5m webbing strap	Snap Hook
MW220C	1135kg (2500lb)	10:1/5:1/1:1	7.5mm x 6mm cable	Snap Hook
MW209R	1500kg (3300lb)	15:1/5:1/1:1	7.5m x 7mm rope	Snap Hook
MW210W	1500kg (3300lb)	15:1/5:1/1:1	7.5m webbing strap	Snap Hook
MW223C	1500kg (3300lb)	15:1/5:1/1:1	7.5m x 7mm cable	Snap Hook

Our 3-speed range of Marine Boat Winches are available in 2 different gear ratio speed combinations using either a cable, webbing strap or rope suitable for boats up to 25 feet or with pulling capacity operating up to 1500kg.

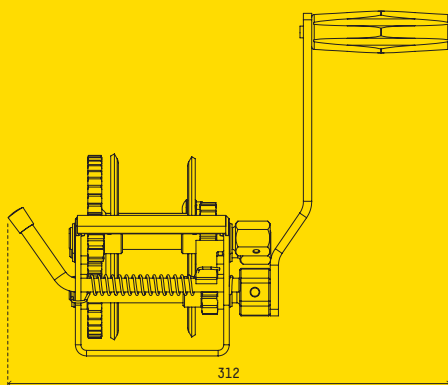
For more information call 1300 214 049, visit our website at atlanticproducts.com.au or email sales@atlanticproducts.com.au



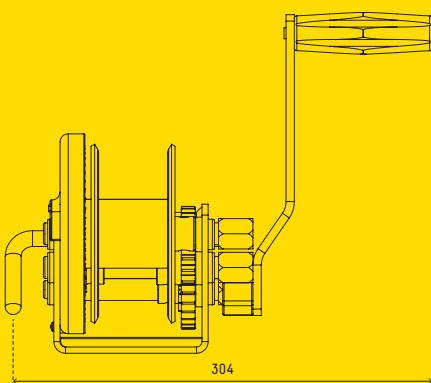
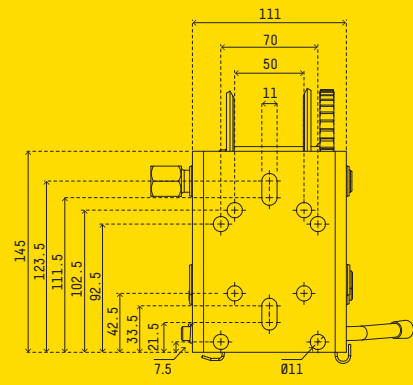
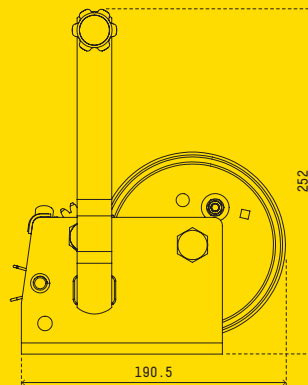
ATLANTIC

WINCHES

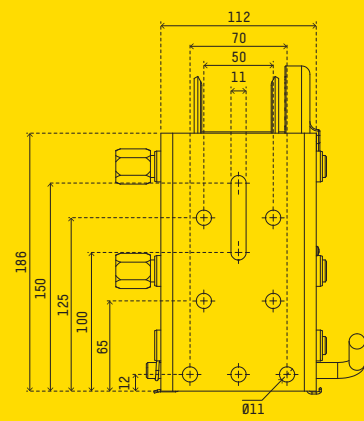
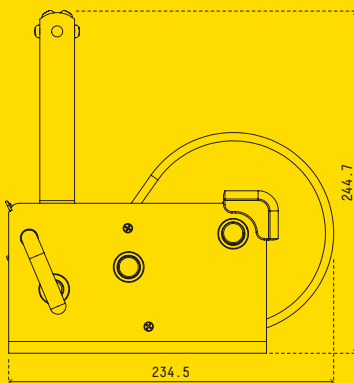
PRODUCT CODE	MW207R	MW208W	MW220C	MW209R	MW210W	MW223C
GEAR RATIO	10:1/5:1/1:1	10:1/5:1/1:1	10:1/5:1/1:1	15:1/5:1/1:1	15:1/5:1/1:1	15:1/5:1/1:1
CABLE/WEBBING/ROPE TYPE	Atlantic Rope	Webbing Strap	Cable	Atlantic Rope	Webbing Strap	Cable
HOOK TYPE	Snap Hook	Snap Hook	Snap Hook	Snap Hook	Snap Hook	Snap Hook
APPLICATION (VESSEL TYPE)	Incline Pull (Boat Trailer)	Incline Pull (Boat Trailer)	Incline Pull (Boat Trailer)	Incline Pull (Boat Trailer)	Incline Pull (Boat Trailer)	Incline Pull (Boat Trailer)
CABLE/WEBBING/ROPE LENGTH (MAXIMUM LENGTH)	7.5m x 6mm (9.5m x 6mm)	7.5m (8.5m)	7.5m x 6mm (9.5m x 6mm)	7.5m x 7mm (10m x 7mm)	7.5m (8.0m)	7.5m x 7mm (9.5m x 7mm)
CAPACITY	1135kg (2500lb)	1135kg (2500lb)	1135kg (2500lb)	1500kg (3300lb)	1500kg (3300lb)	1500kg (3300lb)
RATCHET TYPE	Pawl Lever	Pawl Lever	Pawl Lever	Pawl Lever	Pawl Lever	Pawl Lever
UNIT WEIGHT	5.15kg	5.39kg	5.98kg	6.5kg	6.9kg	7.3kg
TOTAL DIMENSIONS (W X H X D)	312 x 252 x 190.5	312 x 252 x 190.5	312 x 252 x 190.5	304 x 244.7 x 234.5	304 x 244.7 x 234.5	304 x 244.7 x 234.5
BARCODE NUMBER	9337451000756	9337451000077	9337451000121	9337451000763	9337451000084	9337451000336



10:1/5:1/1:1 MARINE WINCH DIMENSIONS



15:1/5:1/1:1 MARINE WINCH DIMENSIONS



For more information call 1300 214 049, visit our website at atlanticproducts.com.au or email sales@atlanticproducts.com.au

